

# FieldSmart Fiber Delivery Point (FDP)

## Indoor 36-Port Wall Mount Panel

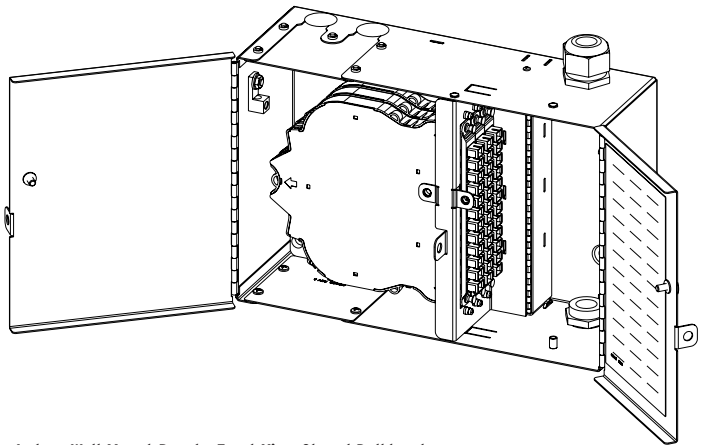


### Application

- Fiber demarcation
- CATV applications
- Entrance facilities
- Security systems (CCTV)
- Telecommunications room
- MDU (Multi-dwelling Units) applications

### Description

The FieldSmart Fiber Delivery Point (FDP) Indoor Wall Mount Panel allows the user to easily scale to 12 to 36 ports. *Mid-span / ring cut capable of reducing installation costs and deployment time.* Utilizing Clearview Cassettes, the product is shipped loaded with the industry standard adapter of your choice. It is preloaded for patch only or patch & splice applications and supports all cable constructions for the inside plant. The FieldSmart FDP Wall Mount Panel has piano hinge doors for increased security and for easy installation, and a solid enclosure design to protect fiber terminations from damage. Also supports PON applications with the ability to house a single 1 x 32 splitter.



Indoor Wall Mount Panel - Front View Closed Bulkhead

### Features & Benefits

#### Integrity

- 100% tested GR-326 compliant terminations
- GR-20 and GR-409 compliant
- Supports all industry standard singlemode and multimode connectors
- 100% performance tested for I.L./R.L. and final mechanical inspect

#### Protection

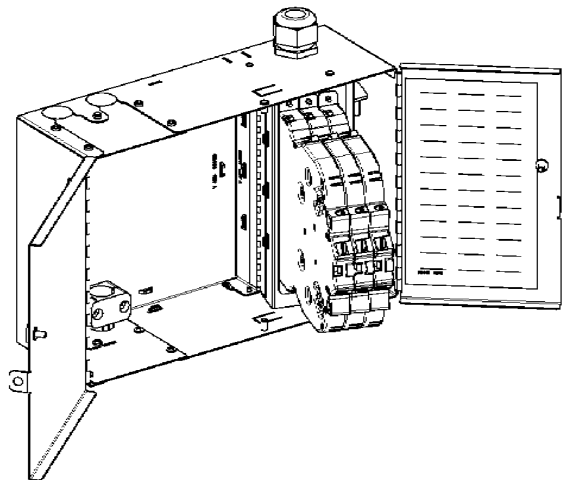
- Radius protected storage for up to five (5) meters of jacketed fiber or patch cord slack is provided (patch side)
- Rugged steel construction with security enabled doors provide protection from tampering or in advertent damage with industry-standard can wrench fasteners
- Integrated fiber management protects fiber from micro-bend and macro-bend damage
- A grounding lug is included (see page 89 for grounding recommendations)

#### Access

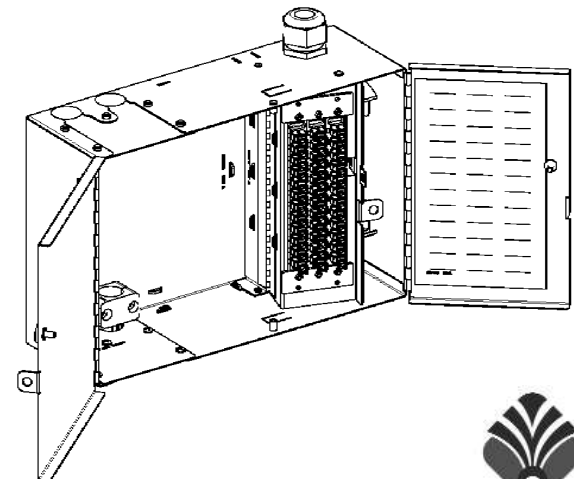
- Removable doors and non-angled connectors enable fast, easy fiber jumper routing, reducing the risk of fiber damage when cleaning or patching fibers
- Ships ready to install with cable clamp kit, and miscellaneous accessories
- Upper and lower entry/exit points for feeder/customer premise cables
- Larger design facilitates ease of access in the environments product is deployed
- Accessible using a standard can wrench
- Pre-loaded for patch only or patch & splice applications

#### Investment

- Scalable to 36 ports of fiber using Clearview Cassettes loaded with the interface of your choice
- Pre-configured/pre-loaded factory terminated assemblies
- Patch only or patch & splice configurations supported
- Panel can be configured as a tie panel and later converted to a patch only or a patch & splice panel, utilizing the Clearview Cassette



Indoor Wall Mount Panel - Front View Open Swinging Bulkhead



Indoor Wall Mount Panel - Front View Open Without Fiber (Tie Panel)



ACCESS

# FieldSmart Fiber Delivery Point (FDP)

## Indoor 36-Port Wall Mount Panel



### Dimensions/Specifications

	Indoor
Dimensions	10.5" H x 16.0" W x 5.5" D
Port Density	Up to 36 ports
Splice Capacity	12 splices in each Clearview Cassette
Interface Types	ST, SC, SC APC, FC, FC APC, LC, LC APC
Storage Capacity	Up to 5 meters of 12-fiber IFC jacketed fiber

### Ordering Guide

W    Z -          -          - Z Z    XXXM or XXXF

1    
 2    
 3 4 5    
 6

**1** Select wallmount style

E = Patch only  
F = Patch & splice  
G = Tie Panel

**3** Select connector style

A = SC UPC     J = FC UPC  
C = SC APC     K = FC APC  
F = LC UPC     M = ST UPC  
G = LC APC

**5** Select cable construction

A = Indoor, Riser Rated (IFC)  
B = OSP, Riser Rated  
C = Indoor, Plenum (IFC)  
E = OSP, Non-Rated  
F = 900um Tight Buffer (P & S only)

**XXXXM or XXXF**

XXXXF = Length of pigtail in feet  
XXXXM = Length of pigtail in meters

**2** Select port count

012 = 12 port  
024 = 24 port  
036 = 36 port

**4** Select Mode / Type

1 = Singlemode, non ribbon  
2 = Singlemode, ribbon  
3 = Multimode (62.5), non ribbon  
4 = Multimode (62.5) ribbon  
9 = No fiber - multimode  
0 = No fiber - singlemode

**6** Select cable exit \*

2 = Top Left  
4 = Bottom Left  
Z = N/A - Use for Patch & Splice

\* Cable exit is defined by which direction the cable exits the panel when viewing it from the front.