

# Introduction to the Clearview Cassette

*Any Application, Anywhere Multiplier*



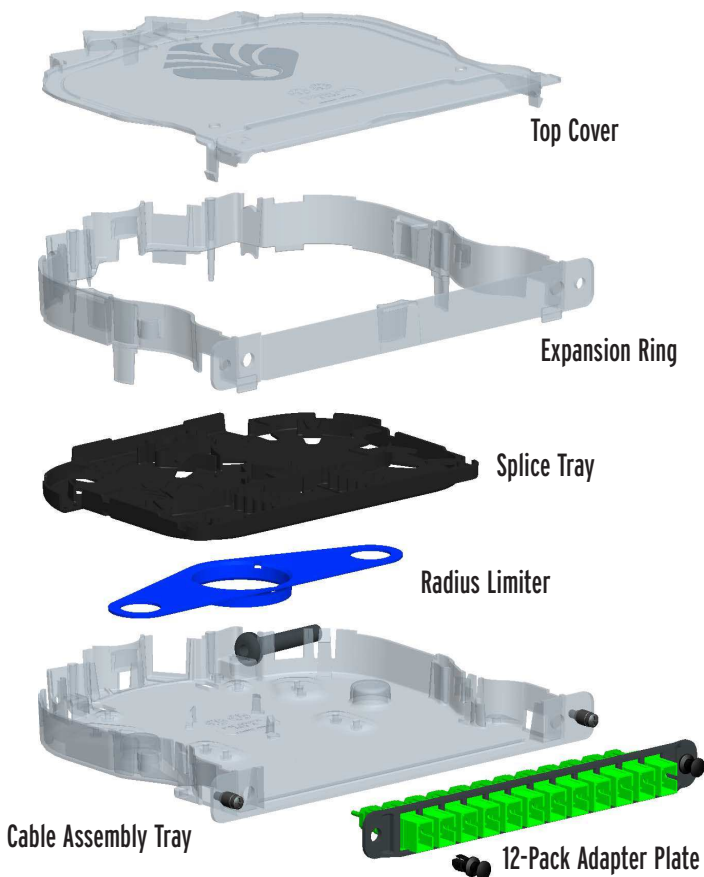
## Description

### Clearview Multiplied...

The Clearview™ Cassette is the heart of every product within the FieldSmart fiber management system. With Clearview, the rules of fiber management have changed. No more does the service provider need to consider fiber management within the network layout-- it's already built into the solution.



The Clearview Cassette is a system of 6 parts that fully nest together to support any application in the inside or outside plant. Parts are added or removed to support the configuration element desired for the environment into which it is being deployed. All types of fiber construction can be integrated into the cassette. The cassette can support all patch only, patch & splice, passive optical component hardware, and plug n' play scenarios.



## Application

Supporting patch only, in-cassette splicing, and optical component packaging for all cable constructions and environments, the Clearview Cassette multiplies and scales to meet your port density and application needs.

It serves as a multiplier for fiber management solutions that scale from 12-port wall boxes to 864 cross-connects, and everything in between.

## Features & Benefits

The Clearview Cassette is a system of six sub-components (top cover, expansion ring, splice tray, radius limiter, cable assembly tray, and 12-pack adapter plate) that work together to support a variety of applications:

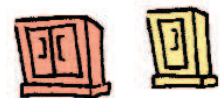
- All sub-components fit in the cassette's main housing; pieces are added or removed depending on the configuration needed for the environment.
- A removable 12-pack adapter plate allows users to reach terminated sub-assemblies for maintenance, cleaning and troubleshooting. Snap-together nested covers and internal components provide access without tools.
- Within the cassette, all fibers from the sub-assembly are slack stored, bend radius protected, and secured against accidental physical damage from handling. Designed to handle the toughest operating environments, the Clearview Cassette provides flexibility and reliable performance in the central office and in the field.
- Its transparent design lets you see the components inside, and its modular construction allows you to create custom configurations with stock components from our full line of field-engineered products.
- By integrating a single Clearview Expansion Ring, the Clearview Cassette doubles in height, integrating slack storage within the cassette. As a result, the Clearview Cassette is now a self-contained 12-port fiber management device that, with the addition of mounting wings within the cable assembly tray, is wall mount capable.

From here, the cassette will populate, up to desired densities, into various fiber management housings ranging from:

- Inside Plant (central office, headend, remote hut)
  - Patch only panels
  - Patch & splice panels
  - Tie panels
  - Indoor-rated wall boxes
- OSP Distribution
  - PON cabinets
  - Cross-connect cabinets
- OSP Access
  - Pedestals
  - Wall boxes



Inside Plant



Outside Plant Distribution



OSP Access

- › MDU's
- › Customer Premise
- › Business Parks

# Clearview Cassette

## Fiber Management Solutions



### Building Block Configurations

#### A. Loose Tube Patch & Splice

A splice tray that nests into the lower tray is all that's needed to deliver an integrated patch & splice application. Up to 2 meters of tight-buffered 900um assemblies are pre-terminated, pre-loaded and slack stored inside the cassette for splicing to outside plant.

#### B. Mass Patch & Splice

A splice tray that nests into the lower tray is all that's needed to deliver an integrated patch & splice application. Two meters ribbon assembly broke out to 900 um legs at front of the cassette.

#### C. Patch Only

Regardless of all industry-standard adapter style or cable construction, the Clearview Cassette handles all patch only applications using the lower tray, bow-tie radius limiter, adapter plate and top cover.

#### D. Optical Components

Clearview integrates optical components into the identical cassette, allowing service providers to mix and match fiber modules with optical components in the same chassis.

#### E. Plug-N-Play

MPO to 12 fiber 900 um assembly allows for plug-n-play by mating MPO to MPO with pre-terminated multi-fiber OSP or IFC.

#### F. MTP Adapter Plate

LC/SC front input to 8-fiber MTP output allow for 1 x 32 splitting in a single cassette.

