

# FieldSmart Fiber Crossover Distribution System (FxDS)



## Accessories: Frames

### Application

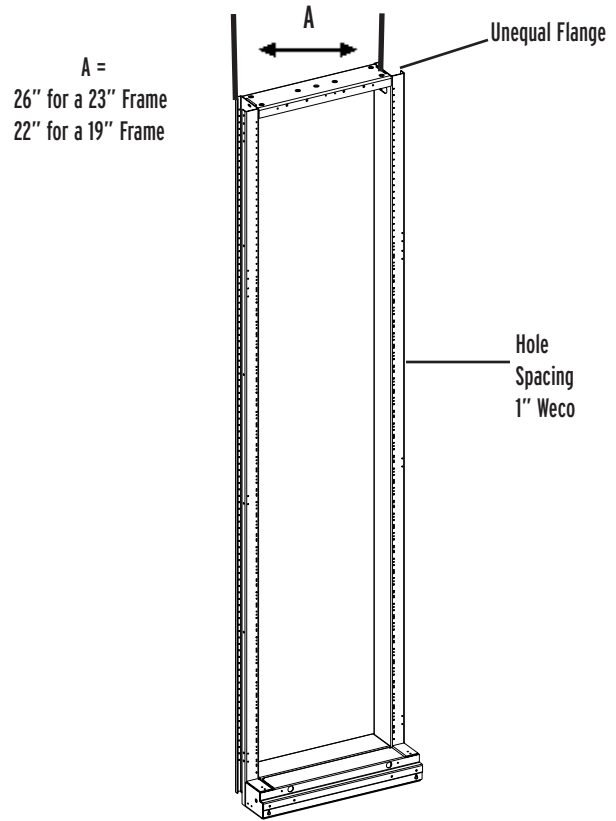
Frames are used for mounting equipment in a central office or data center application.

### Description

FieldSmart Frames are available in 7', 8', or 9' heights and in 19" and 23" widths. These seismic frames come with an unequal flange, and when used with FieldSmart FxDS Panels, provide the highest port density in the industry. Up to 1728 ports in a 7 foot frame.

### Features & Benefits

- 500 pound weight capacity
- Uprights are high-strength, low alloy steel
- Front and rear of upright tapped for 12-24 screws
- Seismic rated
- Interbay Cable Management optional
- Frames can be ordered loaded with panels and cable management as a "rack and stack" solution
- Weco 1" hole spacing
- Unequal Flange



Frames are available in 7', 8' or 9' heights.

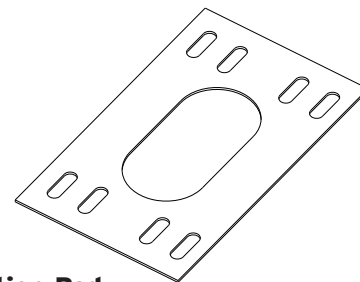
### Ordering Guide

**FMA - A**                

**1**    **2**

**1** Select frame width  
1 = 19" width  
2 = 23" width

**2** Select frame height  
A = 7 foot  
C = 8 foot  
D = 9 foot



**Isolation Pad**

Part #	Dimensions
FMA-L1Z-SUB	9.5" D x 22" W - Isolation pad kit for 19" frame
FMA-L2Z-SUB	9.5" D x 26" W - Isolation pad kit for 23" frame
Kit includes isolation pad, bushing and flat washer	