

FieldSmart Fiber Scalability Center (FSC)

Accessories: FSC Ground Box/Locating Box



Application

Provides the ability to locate OSP Cables without accessing the main cabinet.

Description

The FieldSmart FSC locating box allows the ability to ground distribution cables without jeopardizing risk of damage to live circuits in cabinet. Often, this task is outsourced and entry into the cabinet is not desired. The ground box/locate top allows an individual to access ground logs from outside of cabinet without risking internal damage to fiber plant.

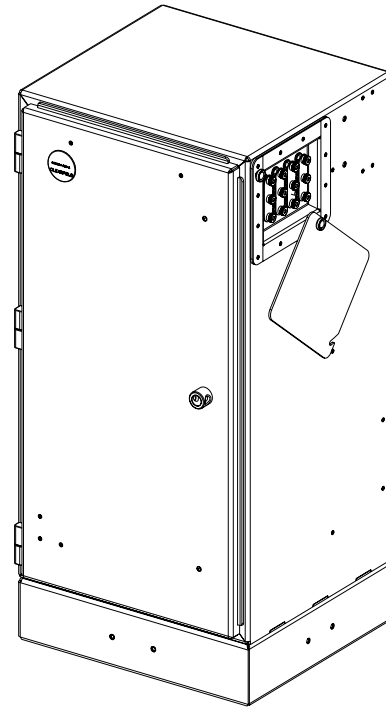
Features & Benefits

- Ability to locate/ground 8 separate cables
- Secure access—Allows the ability to locate cables without entering the cabinet
- Easy access using a can wrench
- Factory installed only

Dimensions

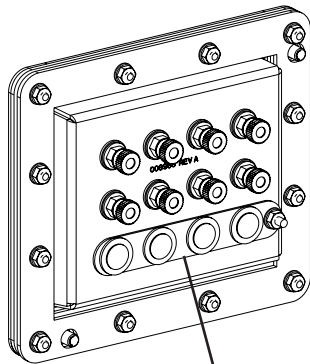
8" wide x 7" high x 1" recessed

This product is configurable within the Clearfield ordering guide.



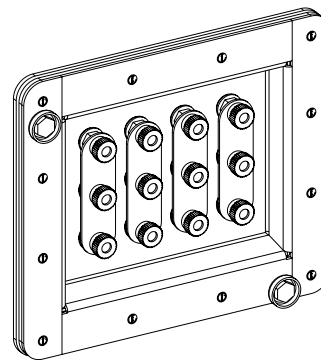
FSC Ground Locating Box

OUTSIDE PLANT



Inside Cabinet View

Common Grounding



External View